



**AC0966C**  
Bright finish

**General Description**

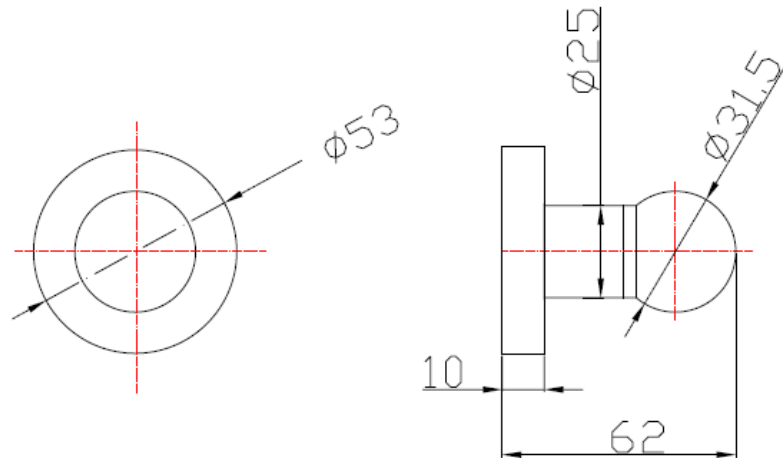
- Surface mounted single robe hook made of chrome-plated brass, 1 mm thick, bright finish with concealed mounting.
- The chrome-plated brass construction protects the product against rust and ensures quality and longevity.
- Model suitable for the hotel sector, elderly centers, homes and for collectivities.
- Screws for wall mounting supplied.

**Components & materials**

- **HOOK:** spherical  $\varnothing$  31.5 mm, made of chrome-plated brass bright finish, 1 mm thick and a protective layer of nickel 9.4  $\mu$ m + chrome 0.40  $\mu$ m.
- **POST:** made of chrome-plated brass bright finish  $\varnothing$  25 mm, 1 mm thick and a protective layer of nickel 9.4  $\mu$ m + chrome 0.40  $\mu$ m.
- **SNAP FLANGE COVER:** made of chrome-plated brass bright finish,  $\varnothing$  53 mm. It has a concealed mounting bracket which incorporates 3 screws holes of  $\varnothing$  5 mm for wall-mounting.

**Technical Specifications**

<b>Chrome brass thickness</b>	1 mm
<b>Hook diameter</b>	$\varnothing$ 31.5 mm
<b>Post diameter</b>	$\varnothing$ 25 mm
<b>Snap flange cover diameter</b>	$\varnothing$ 53 mm

**Dimensions**


Dimensions:  $\pm 4\%$

**MOUNTING**

With three supplied screws through the 3 screw holes of  $\varnothing$  5 mm located into the concealed mounting bracket.